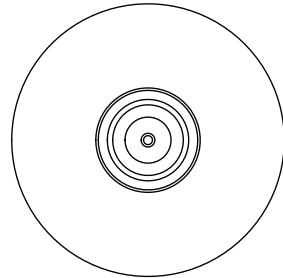
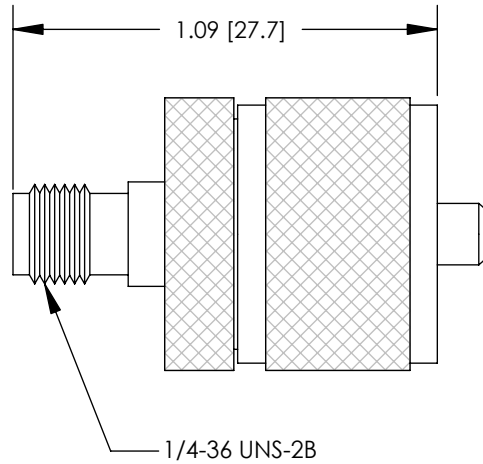


THE INFORMATION CONTAINED IN THIS DRAWING IS THE SOLE PROPERTY OF L-COM, INC. ANY REPRODUCTION IN PART OR WHOLE WITHOUT THE WRITTEN PERMISSION OF L-COM, INC. IS PROHIBITED.

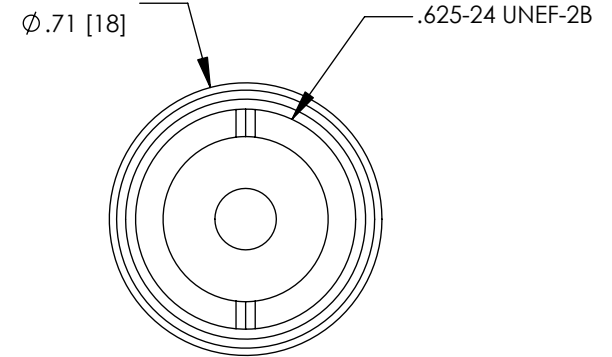
REVISIONS			
REV	DESCRIPTION	DATE	CHANGED BY
A	RELEASED FOR PRODUCTION	5/24/02	TJC
B	ECN 1631 REVISED PLATING AND DIELECTRIC MATERIAL	1/05/04	MCCORMICK
C	ECN 3128: UPDATE DWG FORMAT	12/20/07	D.GRIFFIN



SMA JACK



1/4-36 UNS-2B



UHF PLUG

NOTES:

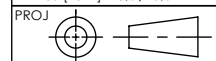
MATERIAL:

BODY: BRASS
 DIELECTRIC: TEFLON
 CENTER PIN: BRASS
 CENTER CONTACT: PHOSPHORUS BRONZE

FINISH:

BODY: NICKEL PLATED
 CENTER PIN: GOLD PLATED
 CENTER CONTACT: GOLD PLATED

UNLESS OTHERWISE SPECIFIED,
 DIMENSIONS ARE IN INCHES [mm]
 TOLERANCES TO BE:
 .X ±.1 [2.5] ANGLES ±2°
 .XX ±.01 [.25]
 .XXX ±.005 [.13]
 OVERALL CABLE LENGTH TOL:
 ≤ 60 [1524] +3 [76.2] / -0
 > 60 [1524] +5% / -0%



APPROVALS	DATE
DRAWN BY TJC	5/10/02
CHECKED BY DFP	5/10/02
APPROVED BY CM	5/13/02

CONFIGURATION DETAILS OF
 UNDIMENSIONED FEATURES
 MAY VARY

L-com CONNECTIVITY PRODUCTS		45 BEECHWOOD DRIVE NORTH ANDOVER, MA 01845	
CATEGORY		COAXIAL	
PRODUCT DESCRIPTION		SMA JACK TO UHF PLUG	
SIZE A	FSCM NO. 43321	DWG. NO. BA36	REV. C
SCALE: NONE		CAD FILE: BA36.SLDDRW	
		SHEET 1 OF 1	